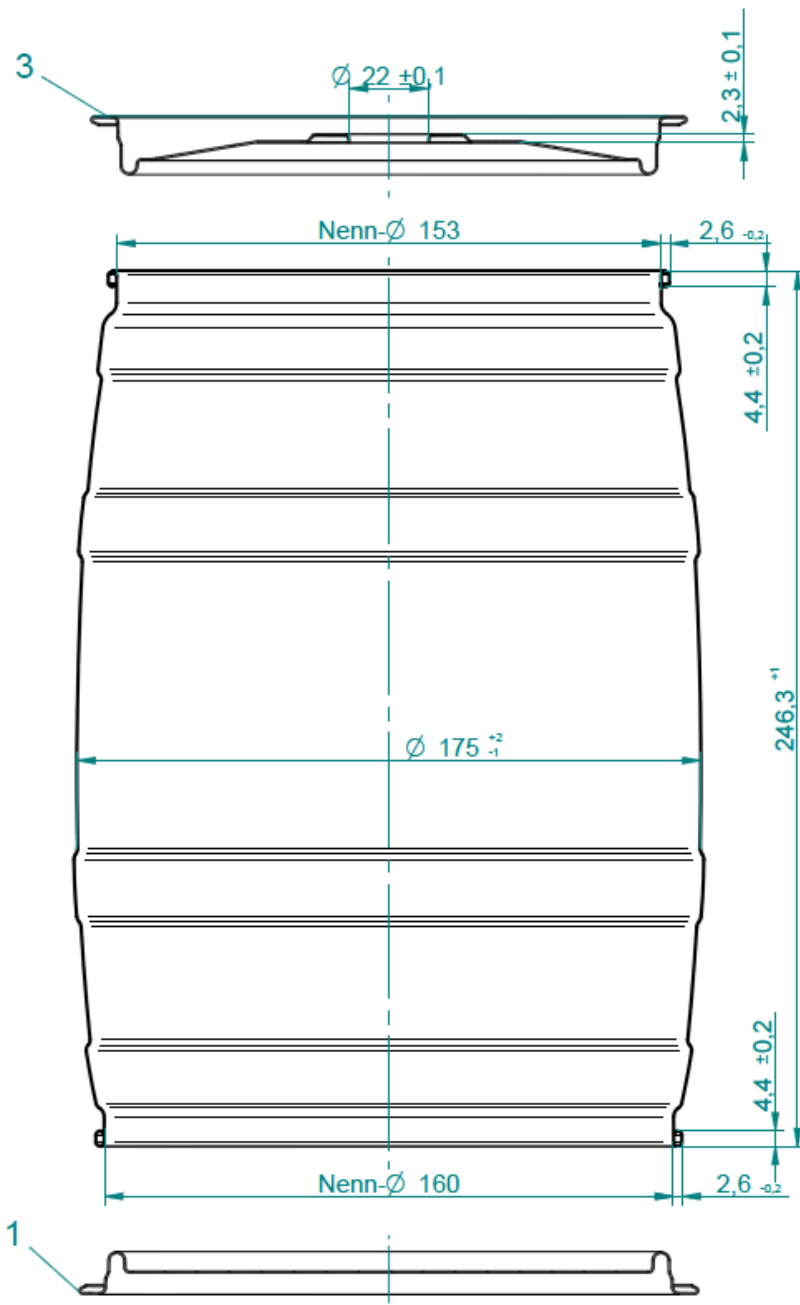




Mini-keg 5L



Tin plate/ECCS as per DIN EN 10 202: 2001.

Nominal capacity: 5.000 ml

Brimful capacity: 5.120 - 5.170 ml

Empty weight:  $515 \pm 15$  g

Buckling pressure: min. 4,0 bar

Burst pressure: min. 6,0 bar

Axial stacking load (static): min. 3.000 N